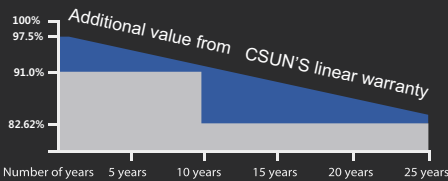


# Galaxy Series Standard Modules

The power output shall not be less than 97.5% of the minimum power output stated in the product datasheet in the first year of the product's life cycle.  
The loss of power output shall not exceed 0.62% per year thereafter, ending with 82.62% in the 25th year.

■ CSUN    ■ Standard warranty

CSUN's **NEW** linear performance warranty



# CSUN 345-72P

High efficiency PERC tech for esthetic applications

Module Fire Performance: Type 1 (UL 1703)

Fire Resistance Rating: Class C (IEC 61730)

CSUN325-72P

CSUN330-72P

CSUN335-72P

CSUN340-72P

CSUN345-72P

**17.78%**

Module efficiency

**345W**

Highest power output

**12 Year**

Material & workmanship warranty

**25 Year**

Linear power output warranty



Industry leading conversion efficiency



Certificated to withstand wind (2400Pa) and snow load (5400Pa)



Positive tolerance offer



Excellent performance under weak light condition



Passed salt mist & ammonia corrosion, blowing sand and hail testing



Good temperature coefficient enables better output in hot climates

**Munich RE**  
Munich Re providing Re in surance



All rights reserved by CSUN  
Version 1/2020

All information and data are subject to change without notice and are provided without liability.



## Electrical Characteristics at Standard Test Conditions (STC)

Module Type	CSUN325-72P	CSUN330-72P	CSUN335-72P	CSUN340-72P	CSUN345-72P
Maximum Power(Pmpp)[W]	325	330	335	340	345
Positive Power Tolerance[W]	0~5	0~5	0~5	0~5	0~5
Open Circuit Voltage(Voc)[V]	46.0	46.1	46.2	46.3	46.5
Short Circuit Current(Isc) [A]	9.19	9.28	9.37	9.48	9.60
Maximum Power Voltage(Vmpp)[V]	37.6	37.7	37.9	38.1	38.2
Maximum Power Current(Imp)[A]	8.66	8.75	8.84	8.93	9.04
Module Efficiency	16.75%	17.01%	17.26%	17.52%	17.78%

Electrical data relates to standard test conditions(STC): irradiance 1000W/m<sup>2</sup>; AM1.5; cell temperature 25°C measuring uncertainty of power is within ±3%. Certified in accordance with IEC61215, IEC61730-1/2 and UL1703.

## Electrical Characteristics at Nominal Operating Cell Temperature(NOCT)

Module Type	CSUN325-72P	CSUN330-72P	CSUN335-72P	CSUN340-72P	CSUN345-72P
Maximum Power(Pmpp)[W]	240	243	247	251	255
Open Circuit Voltage(Voc)[V]	42.6	42.6	42.7	42.8	43.0
Short Circuit Current(Isc) [A]	7.41	7.48	7.55	7.64	7.74
Maximum Power Voltage(Vmpp)[V]	34.7	34.8	35.0	35.2	35.3
Maximum Power Current(Imp)[A]	6.91	6.98	7.05	7.13	7.21

Electrical data relates to nominal operating cell temperature(NOCT): irradiance 800W/m<sup>2</sup>; wind speed 1m/s; cell temperature 45°C ambient temperature 20°C measuring uncertainty of power is within ±3%.

## Temperature Characteristics

Voltage Temperature Coefficient	-0.292%/°C
Current Temperature Coefficient	+0.045%/°C
Power Temperature Coefficient	-0.408%/°C

## Maximum Ratings

Maximum System Voltage(V)	1000/1500
Series Fuse Rating(A)	20
Reverse Current Overload(A)	27

## Mechanical Characteristics

Dimensions	1956×992×40mm - frame thickness upon request
Weight	21.5kg
Frame	Anodized aluminum profile-black frame upon request
Front Glass	Toughened low iron glass,3.2mm
Cell Encapsulation	EVA(Ethylene-Vinyl-Acetate)
Back Sheet	Composite film-black back sheet upon request
Cell	72(6×12) polycrystalline solar cells (156.75×156.75 )
Junction Box	Rated current≥13A, IP≥65, TUV&UL
Cable	Length 900mm,1×4mm <sup>2</sup>
Connector	MC4/compatible with MC4

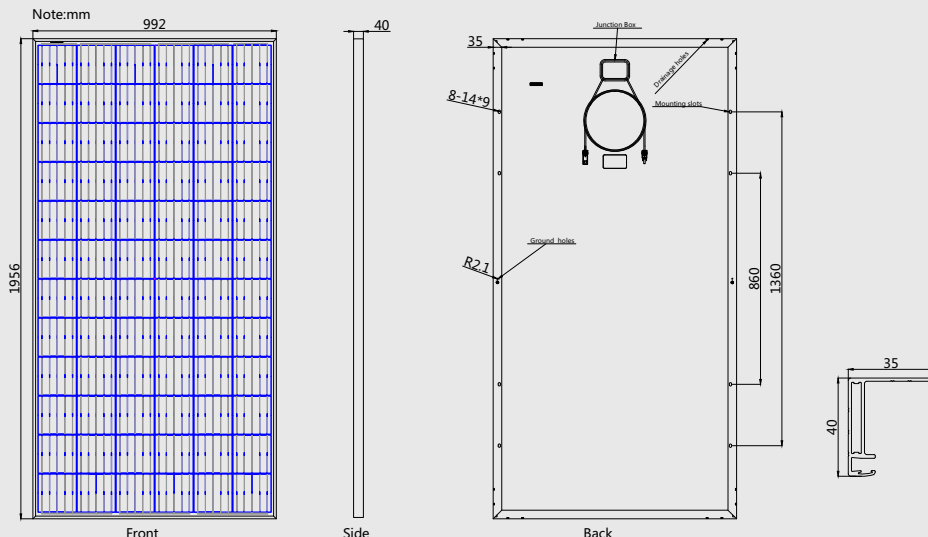
## Packaging

Container 20'	270pcs.
Container 40'	648pcs.
Container 40'HC	696pcs.

## System Design

Temp.Range	-40°F to +185°F(-40°C to +85°C)
Hail	Max. diameter of 0.98"(25mm)with impact speed of 51.2mph(23m/s)
Max.Capacity	Wind 2400Pa, snow 5400Pa-7200Pa upon request
Application Class	A
Safety Class	II

## Dimensions



## I-V Curves

